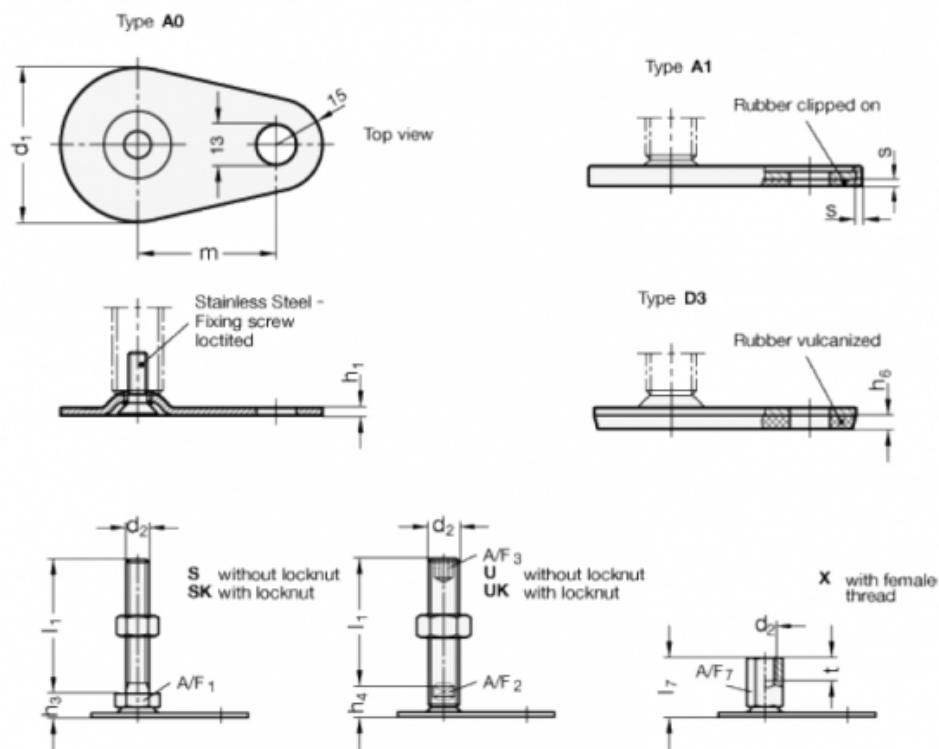


# Data Sheet



Article number: 204280M12125A1SK  
Description: E+G levelling foot  
GN 42-80-M12-125-A1-SK  
Note: SK With nut, External hexagon at the bottom

## Measures



A/F1 = 17	s = 2
d1 = 80	
d2 = M12	
h1 = 3	
h3 = 12	
h6 =	
l1 = 125	
m = 70	